



PPHG1BK



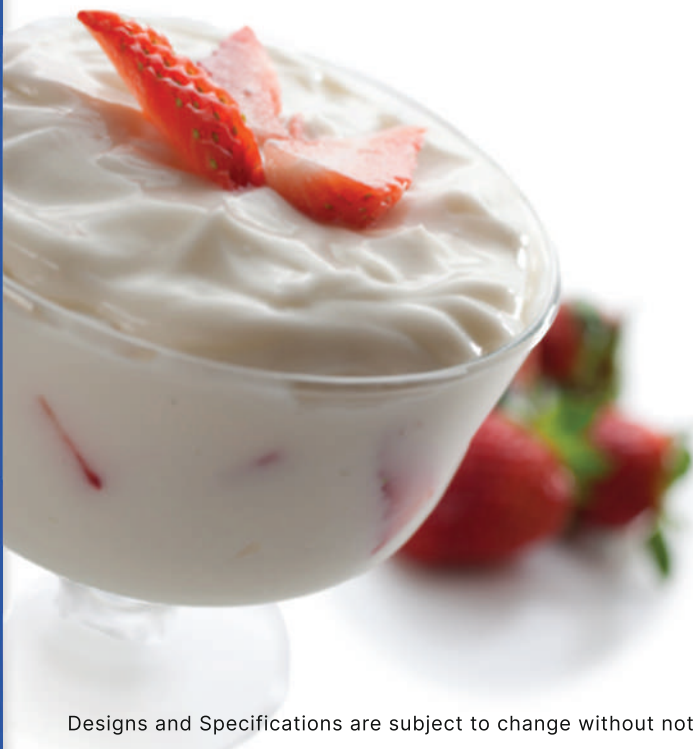
PPHG1SS

## PPHG1BK & PPHG1SS FRESH YOGURT DISPENSER

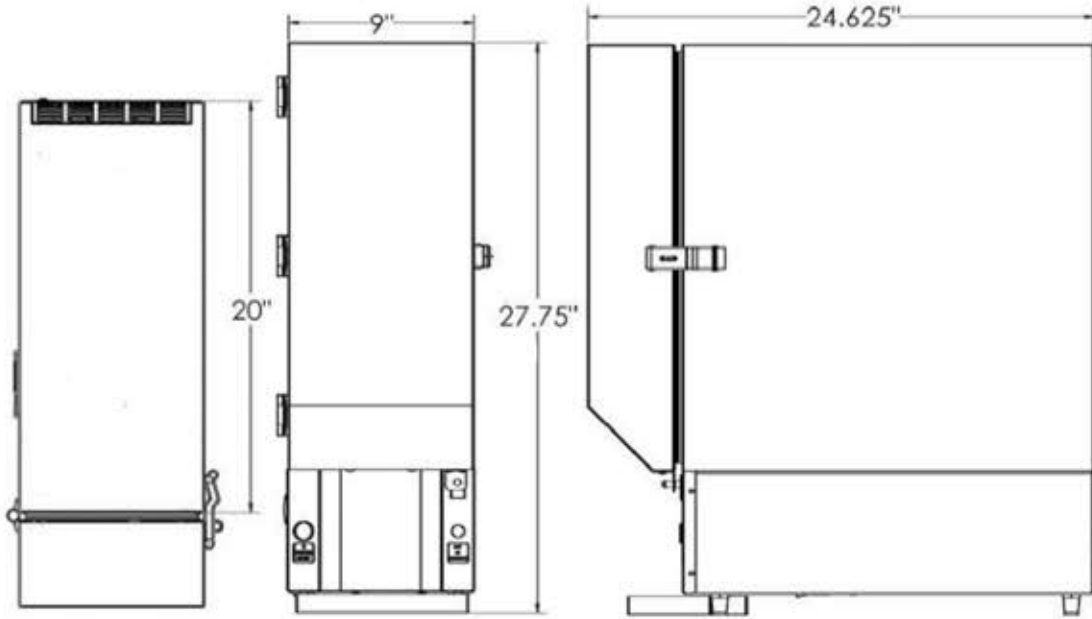
Perfect Parfait's™ Fresh Yogurt Dispenser is proven to deliver many benefits compared to other conventional methods of yogurt service, such as individual serving cups, scooping from a tub, or serving from a bowl on the buffet. This unique system delivers reduced labor costs, eliminates sanitation issues and pilferage, all while capitalizing on multiple daypart opportunities. The Perfect Parfait™ System makes it simple to add fresh yogurt to a buffet, complimentary breakfast, dining hall, school nutritional menu, or healthcare facilities.

### FEATURES

- Cold Wall Construction
- Refrigerated Block Surrounding the Dispensing Valve. Product is Always Cold
- Holds a 14 lb. Bag of Fresh Yogurt
- Digital Temperature Display
- Portion Control Dial
- "Out of Product" Indicator Light
- Disengage Safety Function



Designs and Specifications are subject to change without notice.



**DIMENSIONS**

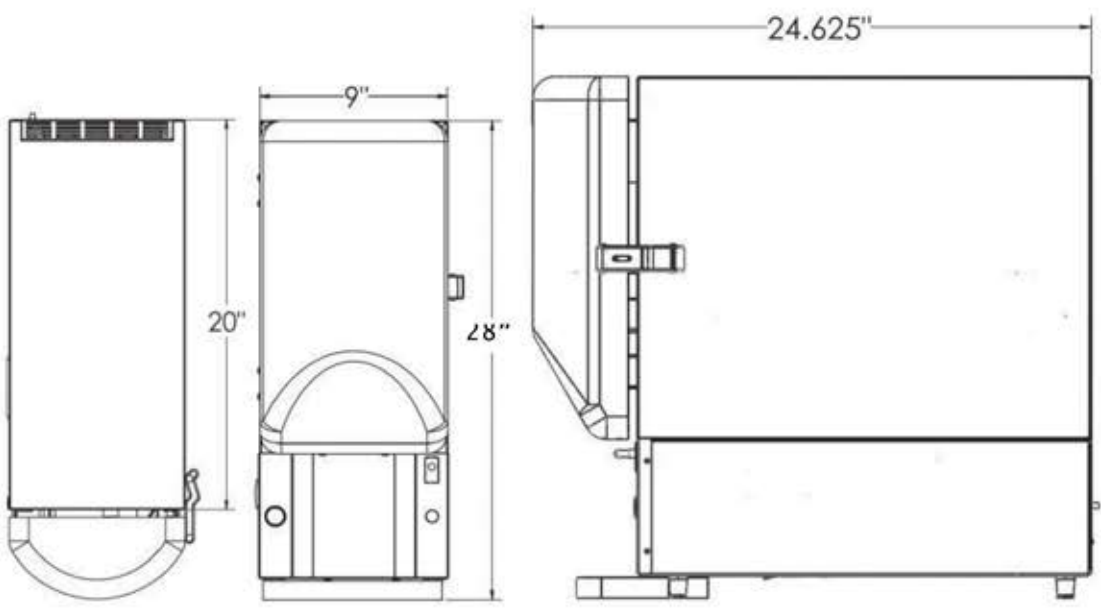
Model Number	Length in	Height in	Depth in	Shipping Weight lb
PPHGSS	9.5	28	24.75	95

**ELECTRICAL INFORMATION**

Model Number	Volts	Hz	Amps	Plug Number
PPHG1SS	115	60	1.4	NEMA 5-15

**CERTIFICATIONS**





**DIMENSIONS**

Model Number	Length in	Height in	Depth in	Shipping Weight lb
PPHG1BK	9	28	25	95

**ELECTRICAL INFORMATION**

Model Number	Volts	Hz	Amps	Plug Number
PPHG1BK	115	60	1.4	NEMA 5-15

**CERTIFICATIONS**

