



PPHG1BK

PPHG1BK FRESH YOGURT DISPENSER

Perfect Parfait's Fresh Yogurt Dispenser is proven to deliver many benefits versus other, more conventional methods of yogurt service, such as individual serving cups; scooping from a tub or serving from a bowl on the buffet. This unique system delivers reduced labor costs; eliminates sanitation issues and pilferage, all while capitalizing on multiple day part opportunities. The Perfect Parfait System makes it simple to add fresh yogurt to a buffet; complimentary breakfast; dining hall; school nutritional menu or healthcare facilities.

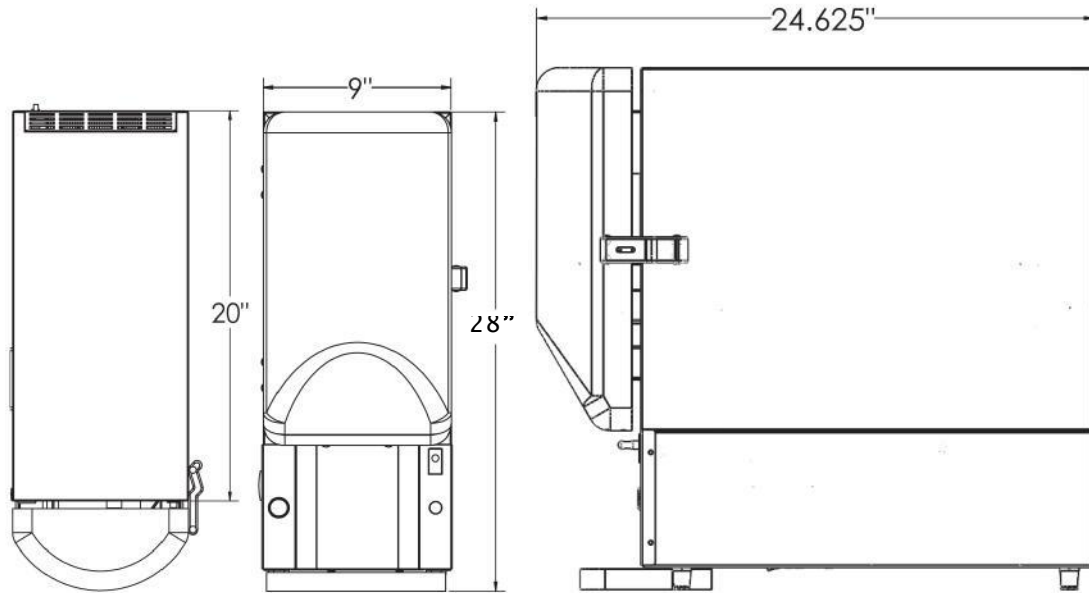
FEATURES

- **Cold wall construction**
- **Refrigerated block surrounding the dispensing Valve. Product is always cold**
- **Holds a 14 lb. bag of fresh yogurt**
- **Digital temperature display**
- **Portion control dial**
- **"Out of Product" indicator light**
- **Disengage safety function**



Designs and Specifications are subject to change without notice.

5700 Granite Parkway, Tower Two, Suite 200, Plano, TX 75024
Toll Free: 844.336.4300 www.perfectparfaityogurt.com



DIMENSIONS

Model Number	Length in	Height in	Depth in	Shipping Weight lb
PPHG1BK	9	28	25	95

ELECTRICAL INFORMATION

Model Number	Volts	Hz	Amps	Plug Number
PPHG1BK	115	60	1.4	NEMA 5-15

CERTIFICATIONS

